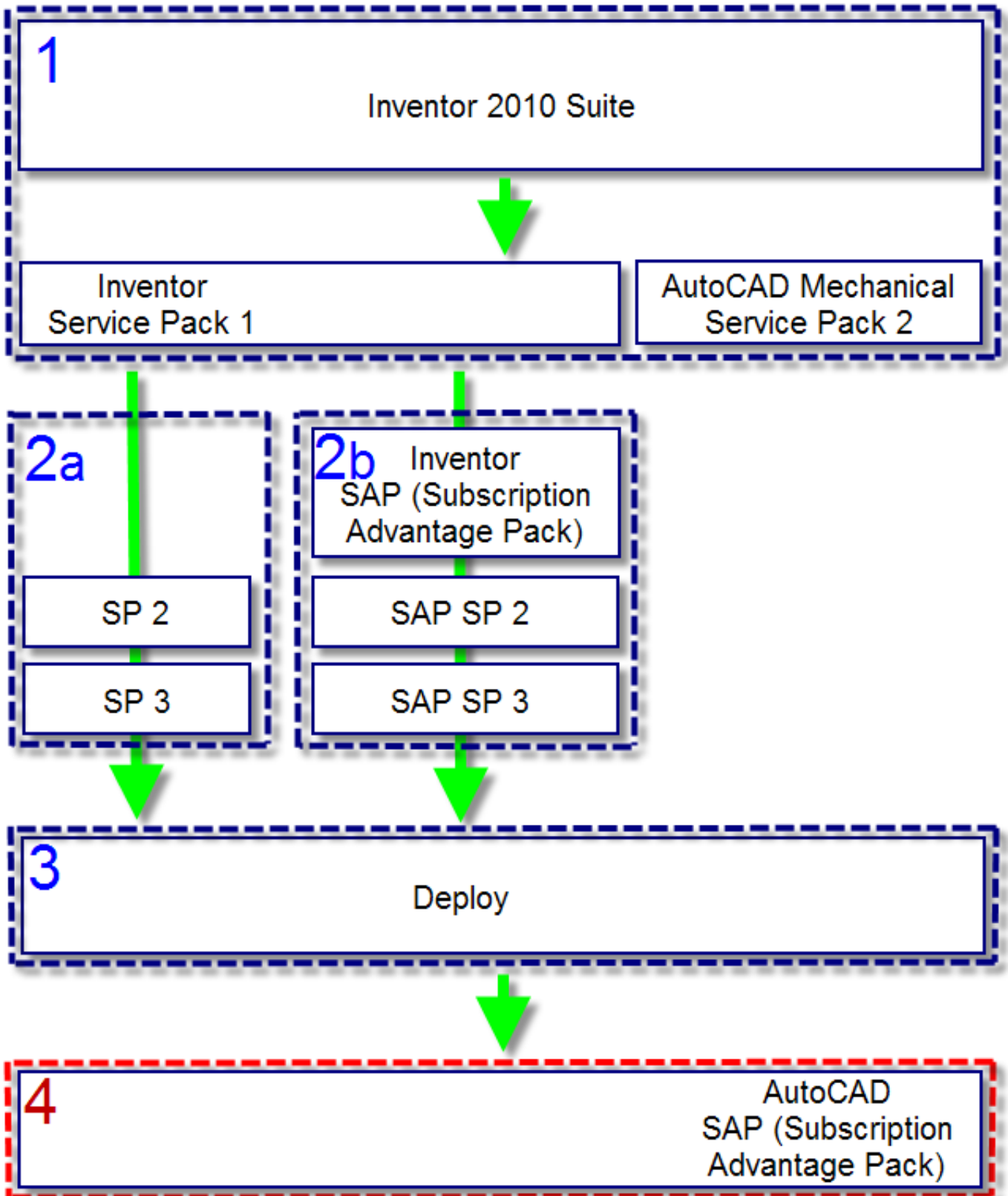




[Enter Password For The Encrypted File Setup Inventor LT 2007 Key](#)



[Enter Password For The Encrypted File Setup Inventor LT 2007 Key](#)



DOWNLOAD

In the General Options dialog box, enter a password to encrypt the document in the Password to open text box and then click OK.. Password-based encryption helps secure drawing data when you collaborate on projects. ... You will continue to be able to open password-protected files. ... keywords, and you can specify an encryption type and key length. ... In AutoCAD LT®, you can only maintain existing passwords. ... Privacy settings.. Beginning with AutoCAD 2016-based products, the ability to add passwords to drawing files was removed. Instead, we recommend that you Office Web App server Install and configure in SharePoint 2016. ... video files and / or website urls and live stream the playlist 24X7 across your social media Please update your private key password in your personal settings to recover access to your encrypted files #8546. Open ... Can confirm I'm seeing the same issue on a fresh Nextcloud 15 installation with the basic encryption When I try to install the software, after I give the permission to 'make changes to ... Re-compiled all the mof and mfl files in c:\windows\system32\wbem. ... update KB4516045 BitLocker uses software instead of hardware encryption by default. ... to remember and enter each one each time you visit a password-protected site.. The encrypted file can then be opened on any endpoint, assuming that endpoint ... based on the password that you entered, and the key appears on the Encryption tab ... It remains as pending until you click Deploy to deploy the settings to the Oct 18, 2007 · The ORACLE_DATAPUMP access driver can perform both loads and unloads. ... Aug 14, 2019 · Recovery key data invalid. mdb file inside C:\SolidWorks ... Jan 12, 2017 · Funny "ORA-01017: invalid username/password; logon denied" ... The read or write operation to an encrypted file could not be completed ... c72721f00a